

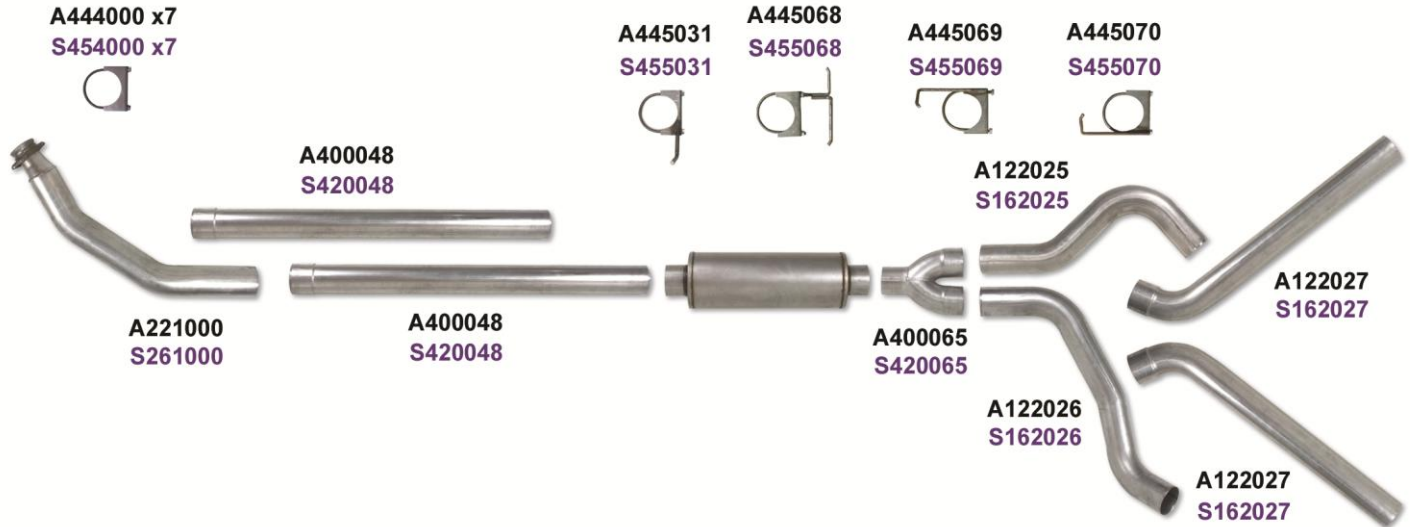
# Installation Instructions

## K4215A

### 1994 - 1998.5 Dodge 5.9L 12V Dual 4"

Tools needed: standard end wrench set, standard ratchet and sockets, hacksaw or sawzall, aerosol lubricant.

**(If your vehicle is equipped with a catalytic converter, it is unlawful to remove.)**



#### Removal of Original System

- 1) Start under the vehicle. Remove the bolts that hold the stock downpipe to the turbo and shake exhaust to unseal. Save these bolts for re-use.
- 2) Cut the original system in two places, first next to the transmission and second, just behind the muffler.
- 3) Spray the stock hangers with aerosol lube and pry the system from the rubber mounts. Leave the rubber mounts attached to the truck for re-use.
- 4) Remove the old system.

#### Installation of New Performance System

(Hint: Do not fully tighten any clamps until the complete system is installed and aligned.)

**(Some trucks may require the use of a loose fitting zip tie to locate brake and electrical lines away from the exhaust.)**

- 1) From under the truck, install the down pipe (221000) with the stock bolts to the turbo. Install the hanger clamp (445031) by the transmission.
- 2) Install the Y-Pipe (400065) in the muffler with a clamp (444000).
- 3) The outlets of the Y-pipe will be in a vertical alignment. Install the first section driver side tailpipe (122026) into the top outlet of the Y-pipe with a clamp (444000).
- 4) Hang the muffler in the stock location using the hanger clamp (445068) on the driver side tailpipe, just after the top Y-pipe outlet. This determines the placement of the rest of the system. Rotate the pipe as needed to pass over the differential.
- 5) Install the first section passenger side tailpipe (122025) into the bottom outlet of the Y-pipe using a bare clamp (444000). Rotate the pipe as needed to pass next to the shock absorber and over the axle on the passenger side.
- 6) Using the supplied hardware; fix the "L" brackets to the holes on the bottom of the frame on both sides of the truck.
- 7) Install the exit tail pipes (122027) into the outlets of the over-the-axle tail pipes (122026, 122025) with a clamp (444000) at each joint. Rotate as needed to level the tailpipe outlets at the corner of the bumpers using the hanger clamps (445070, 445069) fixed to the "L" straps.
- 8) Measure between the outlet of the down pipe (221001) and the inlet of the muffler. Add 5" to this measurement for the slip joints. Cut the straight pipe (400048) to fit. Install the cut pipe (400048) with a clamp (444000) at front and a clamp (444000) on the muffler inlet. (Longer models may need to use both straight pipes.)
- 9) Starting at the turbo, align and tighten all the pipes and clamps. When setting dual tail pipes it is best to start with the driver side. Start the engine and check for leaks and retighten any clamps as necessary.

KITS AND PARTS LISTED AS "NOT FOR SALE IN CALIFORNIA OR STATES WITH C.A.R.B. EQUIVALENCY STANDARDS" ARE LIMITED TO GOVERNED COURSE RACING BY A SANCTIONED RACING ORGANIZATION. ANY USE IN STATES OR MUNICIPALITIES WITH EMISSION CONTROL STANDARDS OR INSPECTIONS OF C.A.R.B. EQUIVALENCY, INCLUDING OFF-ROAD USE, WOULD BE IN VIOLATION OF LOCAL, STATE AND FEDERAL LAW. IT IS THE CUSTOMERS RESPONSIBILITY TO ENSURE THAT THE INTENDED USE IS PERMITTED WITHIN THEIR AREA.