

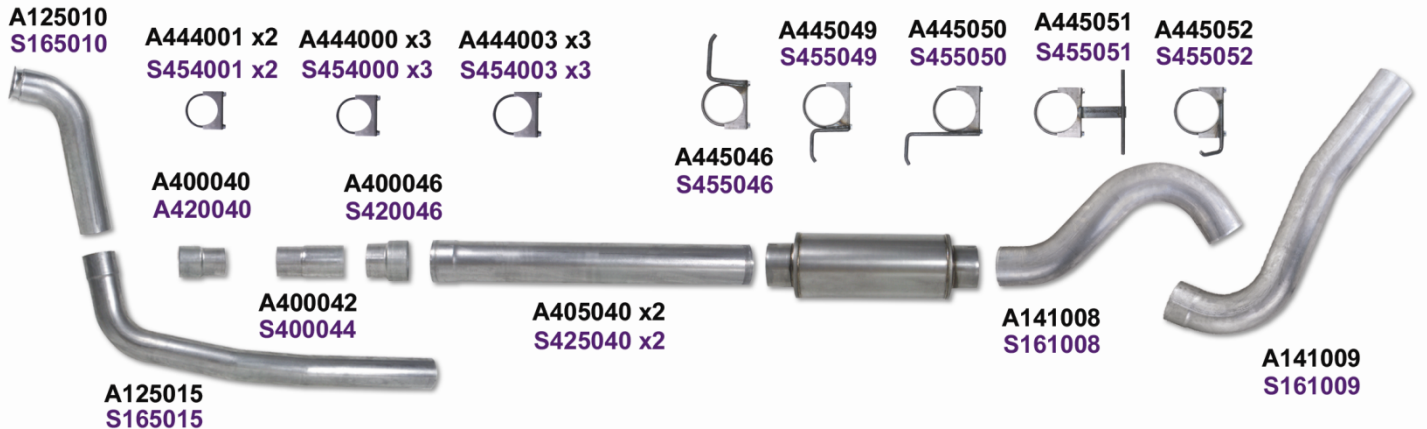
# Installation Instructions

## K5350S

2003-2007 Ford 6.0L F250-F350 Off-Road 5”(Auto Trans. Only)

Tools needed: 9/16” end wrench or socket, 7/16” deep socket, hacksaw or sawzall, aerosol lubricant.

**(If your vehicle is equipped with a catalytic converter, it is unlawful to remove.)**



### Removal of Original System

- 1) Start under the vehicle. Remove the band clamp that holds the stock system to the turbo by loosening the bolt and gently prying the clamp loose. Gently remove the clamp and save for the reinstallation.
- 2) Remove the band clamp that holds the stock system to the converter by loosening the bolt and prying the clamp loose.
- 3) Spray the stock hangers with aerosol lube and pry rubber mounts from the system. Leave the rubber mounts attached to the truck for re-use.
- 4) Remove the old system from the cat back.
- 5) Remove the Stock down pipe. You may need to cut the down pipe or remove the transmission mount to get enough room. Stop and think before you do either of these; a mistake at this time could be very costly.

### Installation of New Performance System

(Do not fully tighten any clamps until the complete system is installed and aligned.)

- 1) From under the truck, install the down pipe with the stock clamp to the turbo. Tighten clamp so you still have some movement.
- 2) Install the down pipe extension with a clamp.
- 3) Hang the muffler in the stock location using the hanger clamp on the outlet. This determines the placement of the rest of the system.
- 4) Install the first tail pipe into the outlet of the muffler using the hanger clamp already installed. Rotate the pipe as needed to pass next to the shock absorber and over the rear axle.
- 5) Install the second tail pipe into the outlet of the first tail pipe with a clamp. Rotate as needed to level the outlet behind the rear tire. Attach the hanger clamp in the stock location.
- 6) Install the straight pipe to the down pipe extension with a clamp.
- 7) Measure between the outlet of the straight pipe and the inlet of the muffler. Add 5” to this measurement for the slip-joints and cut the intermediate pipe to fit. Install the cut pipe between the straight pipe and the muffler with a clamp at front and a clamp on the muffler inlet. Install the hanger clamp in the stock location near the front of the intermediate pipe and install the hanger clamp in the stock location near the rear of the intermediate pipe.
- 8) Starting at the turbo, align and tighten all the pipes and clamps. Start the engine and check for leaks.

MPN 4-26-06

### **\*\*Disclaimer\*\***

Diamond Eye Manufacturing will not accept any responsibility for any damage that may occur to your vehicle while installing the 4” 6.0L down pipe and/or operating your vehicle with the 4” 6.0L down pipe installed, this product may not fit your vehicle properly.