

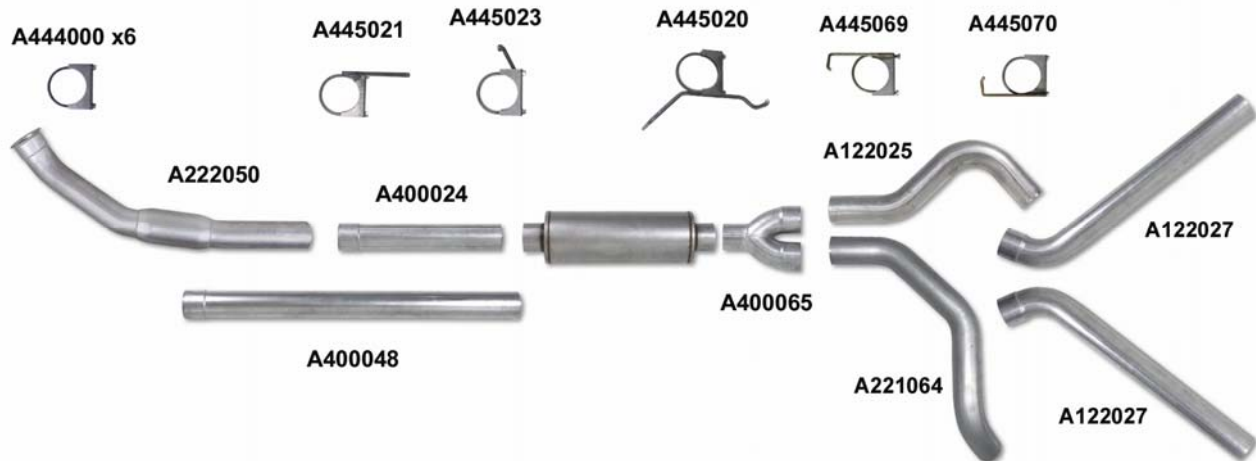
# Installation Instructions

## K4233A

2004.5 – 2007.5 Dodge 5.9L Dual 4” “QUIET TONE” Offroad DUAL

Tools needed: standard end wrench set, standard sockets and ratchet, hacksaw or sawzall, aerosol lubricant.

**(If your vehicle is equipped with a catalytic converter, it is unlawful to remove.)**



### Removal of Original System

- 1) Start under the vehicle. Remove the band clamp that holds the stock Down pipe to the turbo by loosening the nut on the “T” bolt and shake exhaust to get clamp to unseal. Save this clamp for re-use.
- 2) Cut the original system in two places, first next to the transmission and second, just behind the muffler.
- 3) Spray the stock hangers with aerosol lube and pry rubber mounts from the system. Leave the rubber mounts attached to the truck for re-use.
- 4) Remove the old system.

### Installation of New Performance System

(Hint: Do not fully tighten any clamps until the complete system is installed and aligned.)

**(Some trucks may require the use of a loose fitting zip tie to locate brake and electrical lines away from the exhaust.)**

- 1) From under the truck, install the down pipe with the stock band clamp to the turbo.
- 2) Hang the muffler in the stock location using the dual hanger clamp on the outlet of the muffler. This determines the placement of the rest of the system.
- 3) Install the Y-pipe into the muffler outlet with the hanger clamp. (Note: The Y-pipe hangs vertically.)
- 4) Install the passenger side over the axle pipe into the bottom outlet of the Y-pipe with a bare clamp and rotate the pipe as needed to clear the shock tower. (Note: Make sure that the top of the bend is almost directly centered over the axle.)
- 5) Install the driver side over the axle pipe into the top outlet of the Y-pipe with a bare clamp and rotate as necessary to pass in between the shock and the spare tire. Be careful to clear all brake and electrical lines.
- 6) Install the hanger straps in the holes on the frame, using the bolts and body washers to span both sides of the frame rail. Attach the rubber mounts to the strap with the hardware supplied.
- 7) Install the mirror image tailpipe clamps into the rubber hangers that you just installed. Use lube where needed to make installation easier.
- 8) Install the exit tail pipes into the outlets of the over-the-axle tail pipes with a bare clamp at each joint. Rotate as needed to level the outlet behind the rear tires and install into the clamps.
- 9) Measure between the outlet of the down pipe and the inlet of the muffler. Add 5” to this measurement for the slip joints and cut the straight pipe to fit. Install the cut pipe with a clamp at front and a clamp on the muffler inlet. Install the hanger clamp in the stock location. (Longer models may need to use both straight pipes.)
- 10) Starting at the turbo, align and tighten all the pipes and clamps. When setting dual tail pipes it is best to start with the driver side. Start the engine and check for leaks.

#### **\*Disclaimer\***

This application was designed as a performance cosmetic upgrade. Towing a 5<sup>th</sup> wheel or bumper tow trailer with more than 500lbs. tongue weight may result in damage to your vehicle and/or the exhaust system. It may be necessary to remove your spare tire for clearance during and/or after installation.